

*Product Overview*

**RemoteLinc™**  
**Bulk Pumping Adapter for Sentinel iPro**

## Quick Facts

**Product Name:** RemoteLinc™

**Product Description:** bulk pumping adapter

**Application:** all Sentinel iPro

**Part Number:** XSA-45542

**List Price:** \$2550 each + \$100 per unit for pressure regulated clamp valves (XSA-45559 required for all Sentinel units)

**Installation Cost:** Field retrofits quoted on an individual basis. No charge when added to the system during manufacturing.

**Firmware Version:** Requires V2.06+

**Ink Inlet Port Size:** 3/8" NPTF

**Plumbing:** Provided by the customer, must be installed overhead in a manner that allows for the movement of the unit back and forth across the fountain.

**Max Ink Pressure:** 200 bar (2940 psi)

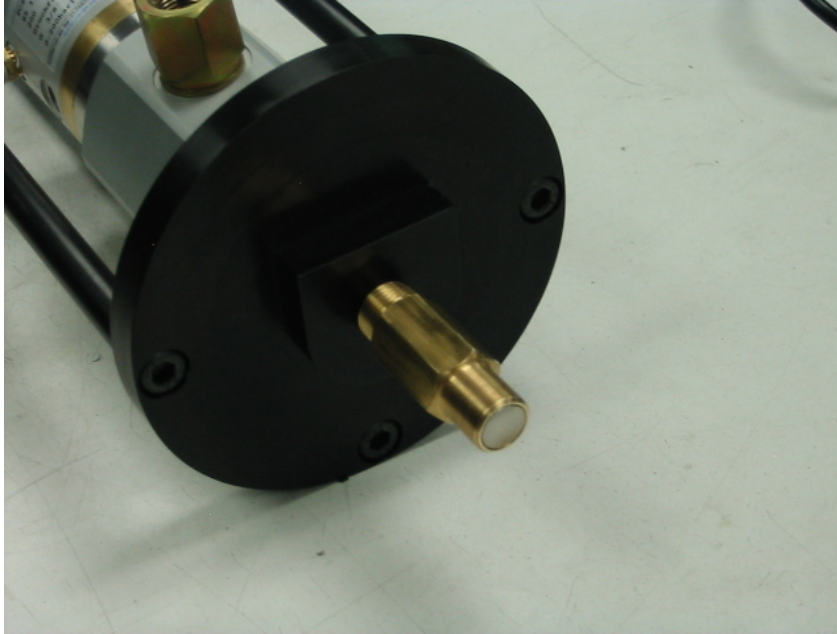
## Summary

The RemoteLinc™ bulk pumping adapter is designed to directly replace the Sonoco 8 lb ink cartridge in Sentinel systems. Since this adapter has the same basic overall dimensions as the cartridge it is easily installed in the Sentinel unit when it is necessary to pump from a bulk ink supply.



Note the blue pneumatic hose which transfers the ink feed pressure directly into the valve to control the on/off feeding just as it does with an ink cartridge. This air pressure opens the valve and allows the ink to flow. The valve closes via spring pressure when the air pressure is removed.

The ink outlet nozzle on the RemoteLinc™ incorporates a spring loaded shut-off valve to seal the ink when not feeding. This helps reduce the ink string but mainly is necessary to prevent the ink from skinning and drying in the valve when not in use.



The other end of the RemoteLinc™ uses an o-ring for sealing instead of the integral cartridge sealing gasket.



## Required System Modifications

The use of the RemoteLinc™ requires that two modifications be made to the Sentinel iPro units. One is the change to a pressure regulated cartridge clamp control valve. The second required change is the use of firmware version 2.06 or greater.

### Pressure Regulated Clamp Valves

Any Sentinel system that will use a RemoteLinc™ adapter on one or more units requires pressure regulated pneumatic clamp valves be retrofitted on all of the units in that system. This is necessary because the system air pressure is main line regulated to 50psi to prevent damage to the cartridge when it is clamped in place. Since the valve in the RemoteLinc™ requires 70psi to operate it is necessary to increase the main line pressure to a minimum of 75 psi. Therefore in order to limit the pressure on the cartridge clamp you must replace the original cartridge clamp pneumatic valves with ones that have an attached pressure regulator adjusted to 50psi.

### Firmware Version 2.06+

It is necessary to upgrade the Sentinel firmware to version 2.06 or greater. This version contains a cartridge type called RemoteLinc™ that configures the system specifically for using the bulk adapter. When this cartridge type is selected the unit is automatically configured to a 70 psi ink feed pressure that is not user adjustable as shown in the picture below.



## Safety

The V2.06+ firmware incorporates some important safeguards to prevent the operation of the system should a cartridge be placed in the unit when it is configured for a RemoteLinc™. If the operator inserts a cartridge when RemoteLinc™ is selected as the cartridge type the system automatically recognizes the discrepancy and prevents operation until either the RemoteLinc™ is installed or the cartridge type is changed back to ORIGINAL. This prevents the Sonoco cartridge from being over pressurized which would likely cause it to fail.

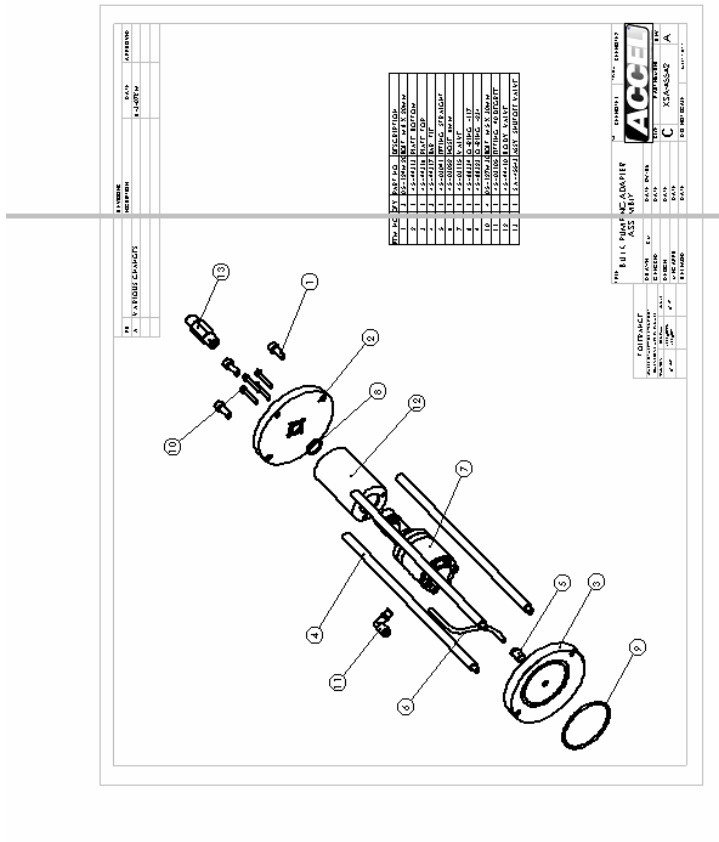
The screen displays “REMOTELINC EXPECTED” if a cartridge is inserted when the system is configured for a RemoteLink.



The screen displays “CARTRIDGE EXPECTED” if the RemoteLinc™ is installed when “ORIGINAL” cartridge type is selected.



# Assembly Drawing



## Exploded Model

